



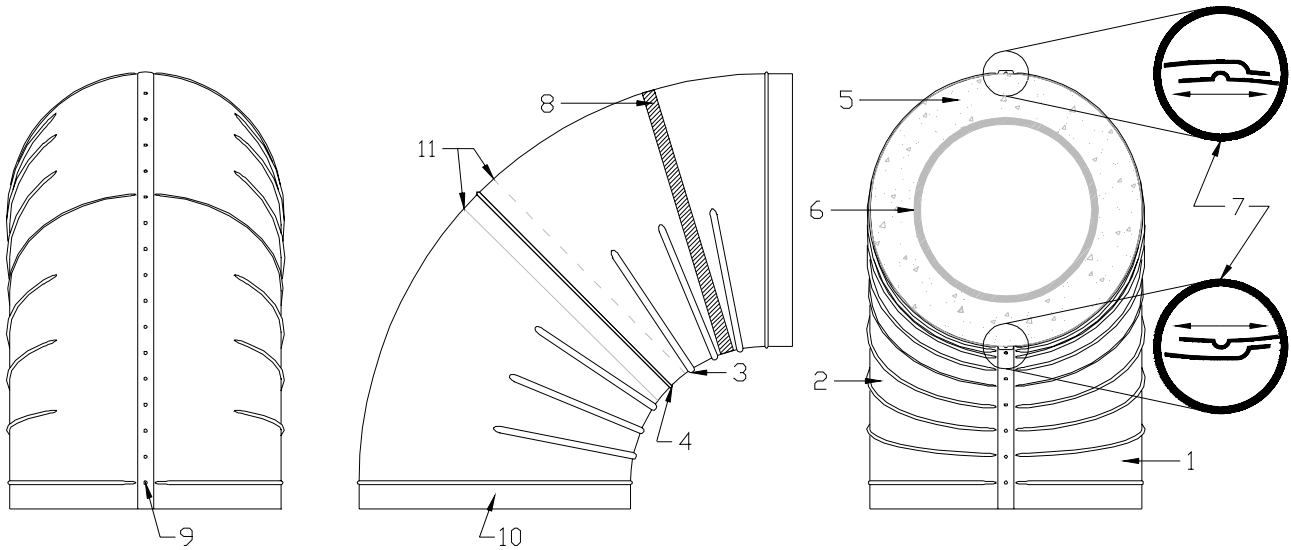
WEATHERJACS™

LARGE BORE PRESSED ALUMINUM ELBOWS



- **Patented Weather Tight System**
Water is an enemy to any insulation system. Patented inside and outside beads prevent water from entering the insulation system.
- **Big Labor Savings**
Sproule WeatherJacs™ decrease installation time compared to gore jacketing
- **Cosmetically Appealing**
Meticulously calculated to minimize wrinkles and for full coverage of the elbow.
- **Precision Formed**
Sproule WeatherJacs™ are precision formed in a computer controlled, hydraulic press.
- **Moisture Barrier**
A moisture barrier is applied to the interior of all WeatherJac™ sizes to prevent electrolyte decomposition.
- **Corrosion Protection**
A clear acrylic coating is applied to the exterior of all Sproule WeatherJacs™.
- **Alignment Ribs**
Special ribs designed for the exact alignment when assembling 45° and 90° elbow and add structural integrity for large elbows.
- **Guaranteed Fit**
Sproule Mfg. Co., Inc. guarantees the fit of all WeatherJacs™ when used with Sproule Pre-Molded High Temperature Fitting Covers.
- **www.sproule-mfg.com**
Along with our product catalog and technical data, users can view net pricing, availability, and order Sproule WeatherJacs™ online!
- **Multiple Warehouse Locations**
Philadelphia, PA & Houston, TX

Sproule Mfg. WeatherJacs™ Technical Data Sheet



WeatherJac™ Diagram Key

- | | |
|--|---|
| 1. WeatherJac™ Inside Piece (Pink Label) | 7. Patented Weather Seal.
Inside and outside bead prevent water intrusion. |
| 2. WeatherJac™ Outside Piece (Green Label) | 8. Optional Banding for securing the WeatherJac™ |
| 3. Take-up Ribs | 9. Optional Stainless Steel Screws for securing the WeatherJac™ |
| 4. Alignment or Reinforcing Ribs | 10. 2" overlap for sufficient coverage of the straight jacketing. |
| 5. Pipe Insulation | 11. Overlap of two 45° segments applied in a watershed fashion. |
| 6. Pipe | |

WeatherJac™ Technical Specifications: Sproule Mfg. Co., Inc. WeatherJacs™ are precision formed pressed aluminum fitting covers utilizing .024", Type 1100 Aluminum Alloy with an acrylic coating applied to each side before forming. Sproule WeatherJacs™ are pressed with both an Inside and Outside half, and in 4 or 8 pieces dependent on size.

WeatherJac™ Available Sizes: Sproule Mfg. Co., Inc. WeatherJacs™ are available as Long Radius 90° & 45° elbows and Short Radius 90° & 45° elbows. Available pipe sizes range from 8" to 24" IPS and thickness is available from 1" to 6 ½" thick. (½" increments) Sproule Mfg. can accommodate electric and steam tracers from 1" to 3". Please contact the factory at 1-800-628-6998 with the insulation's Outside Diameter (OD) and pipe's Center Line Radius (CL). The Sproule Mfg. staff will be more than willing to convert your traced sizes into a standard WeatherJac™ size. **Some sizes may not be immediately available. Please call the factory at 1-800-628-6998, or visit www.sproule-mfg.com/wj for a complete list of WeatherJac™ sizes currently available.**

Ask for a complimentary copy of our WeatherJac™ Interactive CD-ROM Guide.



Sproule Mfg. has assembled a CD-ROM filled with information on every aspect of the Sproule WeatherJacs™. Along with the standard list pricing and technical data sheets, this user friendly CD-ROM contains a unique and dynamic video installation guide for each type of WeatherJac™. The insulator is taken, step by step, through the entire installation process from beginning to end. Time lapse videos, animations, and diagrams are all used to give even the most novice of insulators a complete understanding Sproule WeatherJacs™, their purpose, the advantages of a pressed aluminum elbow in the field, and most importantly the correct method for installing WeatherJacs™. This Interactive CD-ROM Guide also contains a short sales presentation covering the advantages of Sproule WeatherJacs™. This presentation has proven itself time and again to be an invaluable tool to quickly cover the specific points that concern most engineers, end users, even distributors, and contractors. No special software is required, any computer with a web browser can view our guide.

All Sproule Mfg. products are made in the USA

The information herein is accurate and reliable to the best of Sproule Mfg. Co., Inc.'s knowledge. But, because Sproule Mfg. Co., Inc. has no control over our products once they leave our plant, no representation or warranty, expressed or implied, either as to Merchantability or Fitness for a particular purpose is made as to the performance or results of an installation containing our product which extend the description on the face hereof. If the products otherwise fail to conform to the representations made herein, through no fault of the purchaser, purchaser's exclusive remedy and Sproule Mfg. Co., Inc.'s sole liability, shall at Sproule Mfg. Co., Inc.'s options, be the repair or replacement of the nonconforming products or parts thereof, F.O.B. our nearest shipping point. The warranty expires one year from date of purchase. In no event shall Sproule Mfg. Co., Inc. be responsible or liable for any incidental, special or consequential damages which might result from product failure.

Sproule Mfg. Co., Inc. ~ 3239 Phoenixville Pike ~ Devault, PA 19432
(800) 628-6998 ~ Fax: (610) 647-7146 ~ www.sproule-mfg.com